

# DATA SHEET

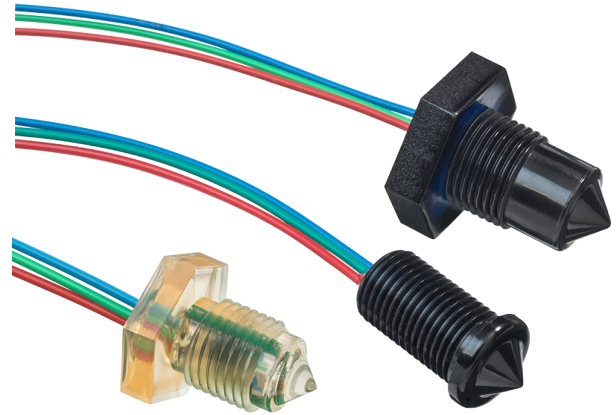
## Liquid Level Switches

### Optomax Digital Series



#### FEATURES

- Liquid level switches that can detect almost any liquid type; oil or water based
- Choice of material; Polysulfone (standard) or Trogamid®
- Choice of threads



<b>Housing/ Mounting</b> <ul style="list-style-type: none"><li>M10x1</li><li>M12x1</li><li>1/4" NPT</li><li>1/2"-20 UNF</li></ul>	<b>Output Type / Logic</b> <ul style="list-style-type: none"><li>PUSH PULL</li><li>HIGH IN AIR (1/0)</li><li>LOW IN AIR (0/1)</li><li>PWM</li></ul>	<b>Supply Voltage</b> <ul style="list-style-type: none"><li>4.5 - 15.4 V VOLTAGE</li></ul>	<b>Output Current</b> <ul style="list-style-type: none"><li>UP TO 100mA CURRENT</li></ul>	<b>Temp</b> <ul style="list-style-type: none"><li>-25°C to +80°C TEMPERATURE</li><li>-40°C to +125°C TEMPERATURE</li></ul>
---	---	--	---	--

#### BENEFITS

- Low power
- Low cost
- Compact design

#### TECHNICAL SPECIFICATIONS

Supply voltage (Vs)	4.5V <sub>DC</sub> to 15.4V <sub>DC</sub>
or	4.5V <sub>DC</sub> to 5.5V <sub>DC</sub> (PWM output)
Supply current (Is)	2.5mA max. (Vs = 15.4V <sub>DC</sub> )
Output sink and source current (Iout)	100mA
Operating temperatures	Standard: -25°C to +80°C Extended: -40°C to +125°C
Storage temperatures	Standard: -30°C to +85°C Extended: -40°C to +125°C
Housing material <sup>a</sup>	Polysulfone or Trogamid <sup>®</sup>
Sensor termination	24AWG, 250mm PVDF wires, 10mm tinned

#### OUTPUT VALUES

<b>Output Voltage (Vout):</b>	<b>Iout = 100mA</b>
Output High	Vout = Vs - 1.5V max
Output Low	Vout = 0V + 0.5V max

<b>PWM</b>	
Duty cycle in air	25% ± 10%
Duty cycle in liquid	75% ± 10%
Frequency	2kHz ± 10%

Other sensor options available on request, email: [technical@sstsensing.com](mailto:technical@sstsensing.com)

**Need help? Ask the expert**  
**Tel: + 44 (0)1236 459 020**  
**and ask for "Technical"**



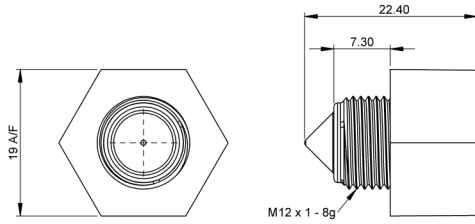
#### NOTES

- Before use check that the fluid in which you wish to use these devices is compatible either with Polysulfone or Trogamid<sup>®</sup>. Some common fluids and compatibility can be found in SST's [Liquid Level Switches – Installation, Operation and Compatibility Guide \(AN 0041\)](#).
- When using Trogamid<sup>®</sup> above +85°C some oil based liquids can cause deformation of the sensing tip, and must be tested for compatibility.

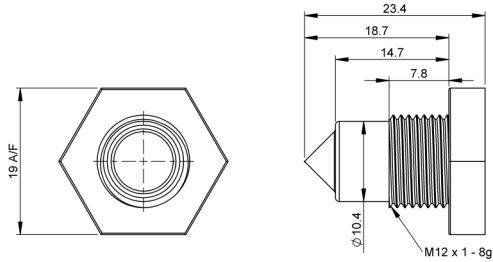
## OUTLINE DRAWING

All dimensions shown in mm. Tolerances =  $\pm 1$ mm.

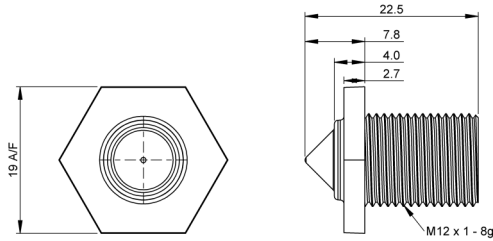
### Type 1



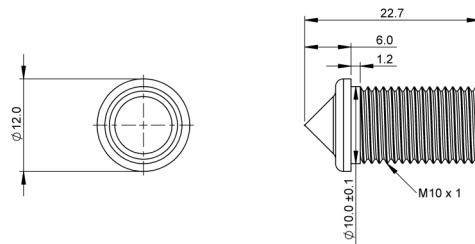
### Type 2



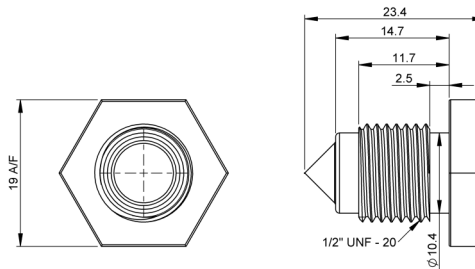
### Type 3



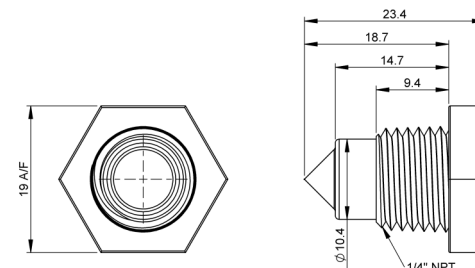
### Type 5



### Type 6



### Type 7



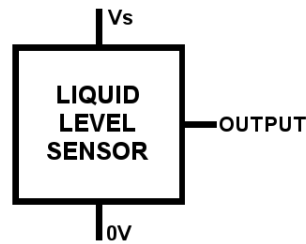
## HOUSING SPECIFICATIONS

Installation drawings and 3D (.step) files available on [the product webpage](#).

	Housing Series		
	Type 1	Type 2	Type 3
Thread	M12x1-8g		
Pressure <sup>d</sup>	7 bar / 101 psi maximum		
Tightening Torque	1.5 Nm / 13.26 in-lbs maximum		

	Housing Series		
	Type 5	Type 6	Type 7
Thread	M10x1	1/2"-20 UNF	1/4" NPT
Pressure <sup>d</sup>	20 bar / 209 psi max.	7 bar / 101 psi maximum	
Tightening Torque	1.5 Nm / 13.26 in-lbs maximum		

## ELECTRICAL INTERFACE



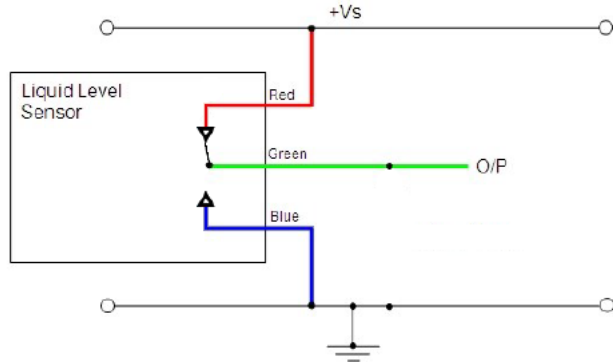
Wire	Designation
Red	Vs
Green	Output
Blue	0V



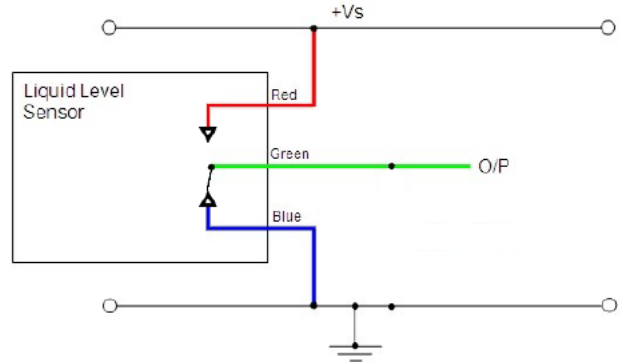
- c) Recommended nuts and sealing accessories outlined within the [Accessory Table](#)  
 d) When correctly sealed.

In order to suit any application, these sensors have been designed with various output circuit configurations.

**Digital Output High in Air**



**Digital Output Low in Air**

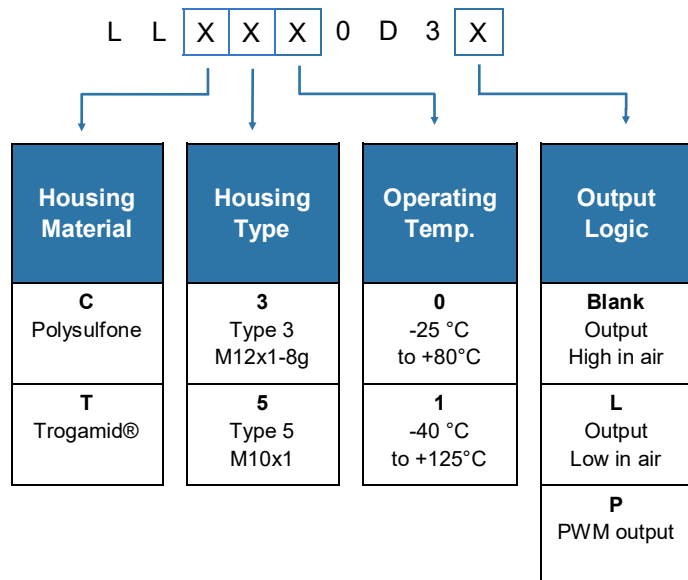


**!** CAUTION: Take care when connecting loads. The minimum load impedance should not exceed  $V_s/\text{max output current}$ .  
**Note:** Shorting the output to  $V_s$  or  $0V$  will result in irreparable damage to the sensor.

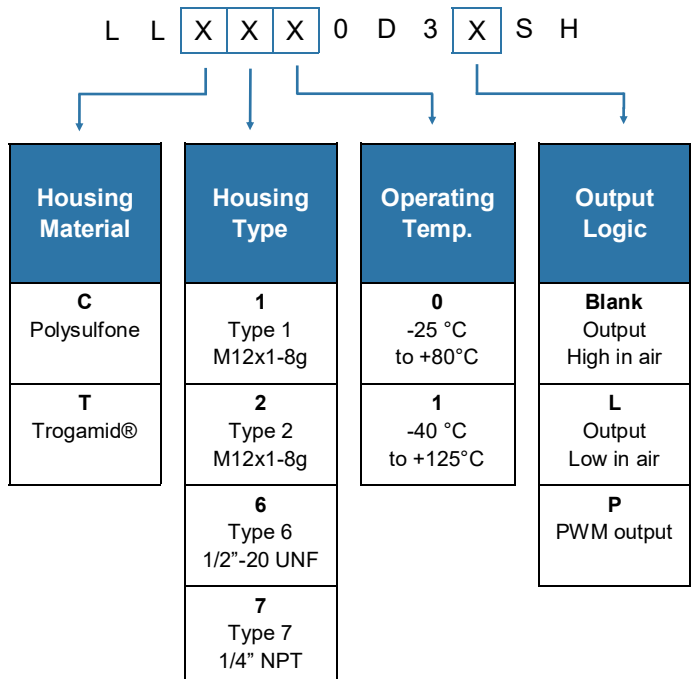
 **ORDER INFORMATION**

Generate your specific part number using the convention shown opposite. Use only those letters and numbers that correspond to the sensor and output options you require — omit those you do not require.

**Sensor mounted from inside vessel**



**Sensor mounted from outside vessel**



**Notes:**

- Type 3 and Type 5 sensors are mounted internally.
- Types 1, 2, 6 & 7 sensors are mounted externally.

Please contact SST Sensing for details; email: [technical@sstsensing.com](mailto:technical@sstsensing.com)

## ACCESSORY TABLE

Thread	Housing Type	Accessory	Material	Order Code
M12	Type 2	Seal Washer	Nitrile	41000190-002
M12	Type 2	Seal Washer	EPDM	41000190-003
M12	Type 2	Seal Washer	VAMAC	41000190-004
M12	Type 2	'O' Ring	As Required	Not Sold by SST
M12	Type 2	Nut	Zinc-Plated Brass	LL-NUT-ZNC
M12	Type 2	Nut	Stainless Steel	LL-NUT-STS
M10	Type 5	Nut	Plastic (PLA)	LL-NUT-PLA
1/2" -20 UNF	Type 6	'O' Ring	As Required - See SAE J1926-1	Not Sold by SST
1/4" NPT	Type 7	Sealing Tape	PTFE	Not Sold By SST
1/4" NPT	Type 7	Sealing Compound	Sealing Compound must be compatible with housing material	Not Sold By SST

### CAUTION

Do not exceed maximum ratings and ensure sensor(s) are operated in accordance with their requirements.

Carefully follow all wiring instructions. Incorrect wiring can cause permanent damage to the device.

SST Sensing Ltd recommend using alcohol based cleaning agents. Do NOT use chlorinated solvents such as trichloroethane as these are likely to attack the sensor material.

**Failure to comply with these instructions may result in product damage.**

### INFORMATION

As customer applications are outside of SST Sensing Ltd.'s control, the information provided is given without legal responsibility. Customers should test under their own conditions to ensure that the equipment is suitable for their intended application. Before use, check that the fluid in which you wish to use these devices is compatible with Polysulfone or Trogamid®.

**For technical assistance or advice, please email:**  
[technical@sstsensing.com](mailto:technical@sstsensing.com)

**General Note:** SST Sensing Ltd. reserves the right to make changes to product specifications without notice or liability. All information is subject to SST Sensing Ltd.'s own data and considered accurate at time of going to print.