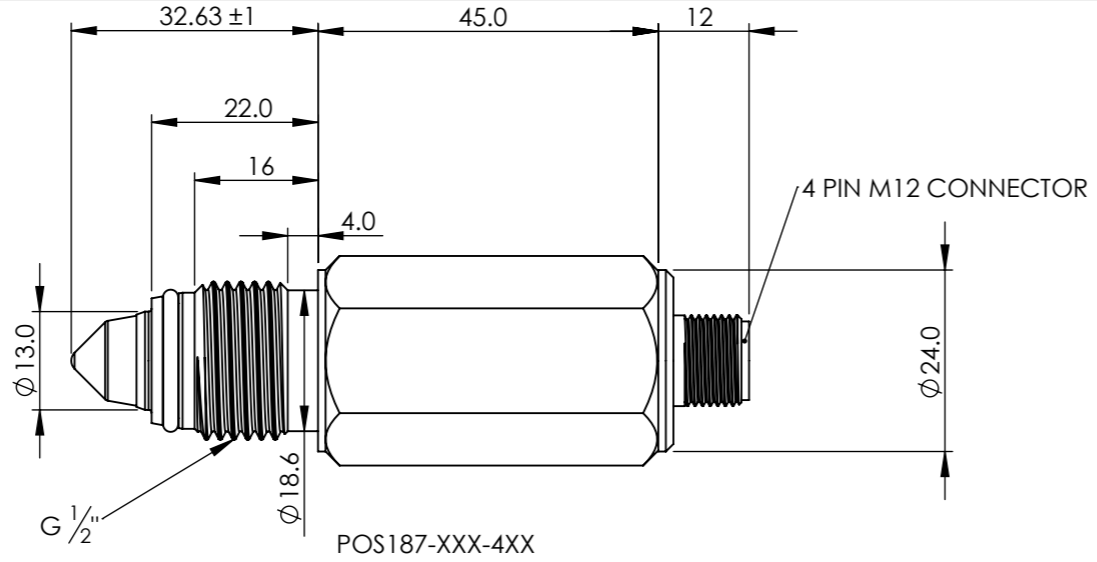
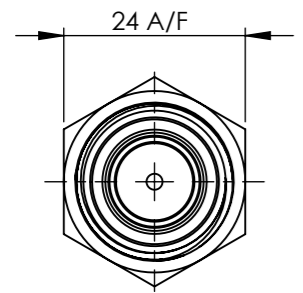
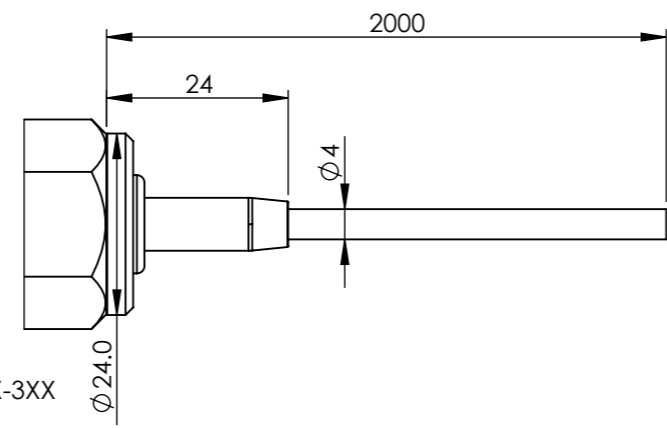


8 7 6 5 4 3 2 1

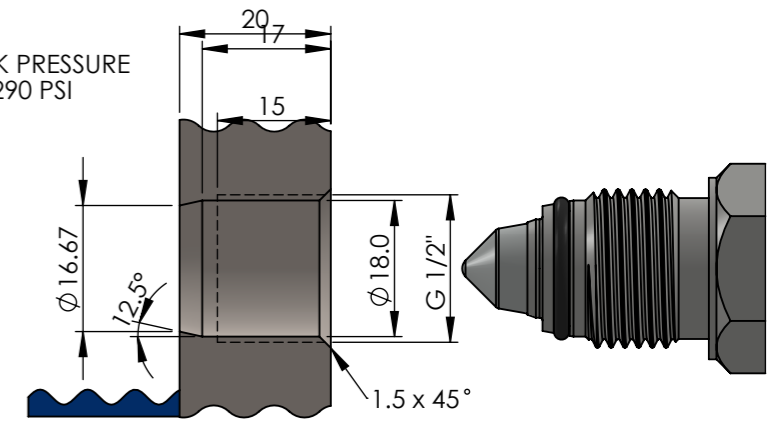


POS187-XXX-4XX



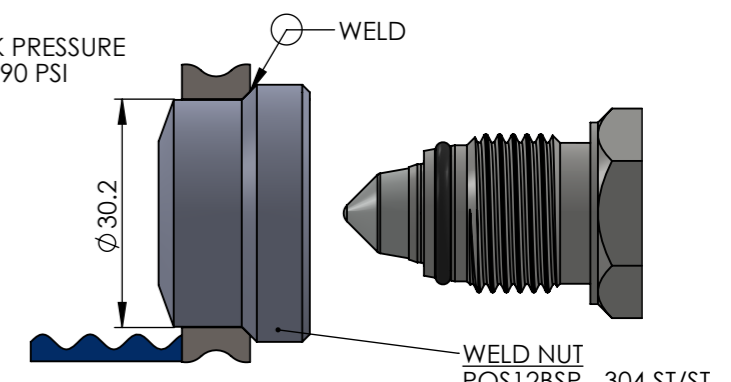
POS187-XXX-3XX

MAX TANK PRESSURE
20 BAR / 290 PSI



OPTION 1. MACHINED WALL

MAX TANK PRESSURE
20 BAR / 290 PSI

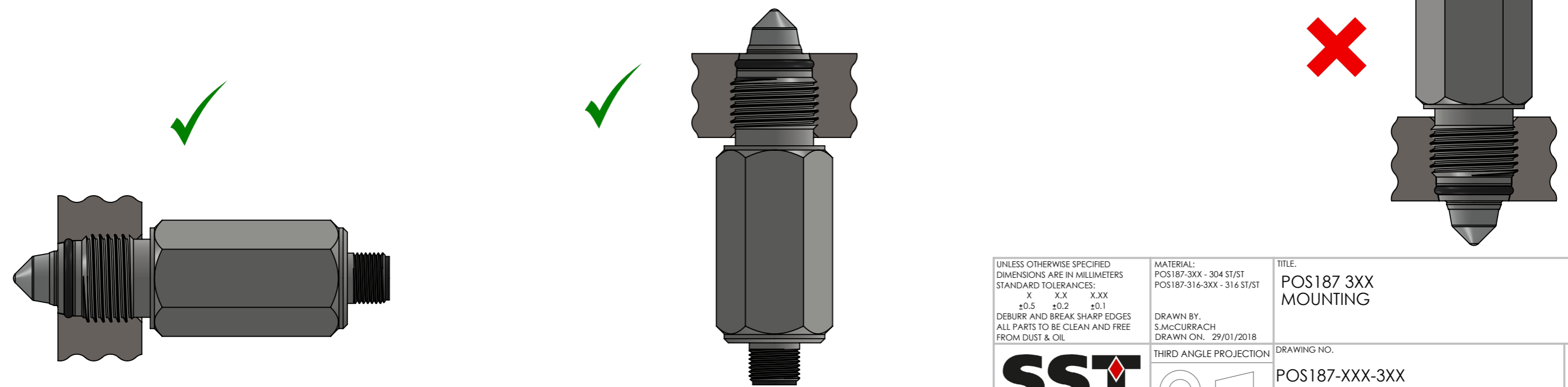


OPTION 2. WELD NUT
OPTIONAL AND AVAILABLE ON REQUEST

RECOMMENDED MOUNTING POSITIONS

- OPTICAL LIQUID LEVEL SWITCHES SHOULD BE MOUNTED FROM THE SIDE OR FROM THE BOTTOM FOR BEST RESULTS.
- AVOID MOUNTING POSITIONS WHERE AMBIENT LIGHT IS LIKELY TO POINT DIRECTLY AT THE SENSING TIP, AS FALSE READINGS CAN OCCUR.
- MOUNTING FROM THE TOP DOWN IS NOT NORMALLY ADVISED AS FALSE READINGS CAN BE CAUSED BY LIQUID DROPLETS CLINGING TO THE SENSING TIP. HOWEVER, IF THE LIQUID VISCOSITY IS LOW, THEN POINTING DOWNWARDS IS OFTEN FINE. ADDITIONALLY, IF THE APPLICATION IS A HIGH LEVEL ALARM AND ITS ACTIVATION RESULTS IN THE MACHINE SHUTDOWN FOR EXAMPLE, POINTING DOWNWARDS MAY BE ACCEPTABLE.

IF YOU REQUIRE MOUNTING IN ANY POSITION THAT IS NOT NORMALLY ADVISED PLEASE CONTACT TECHNICAL@SSTSSENSING.COM TO DISCUSS THE IMPLICATIONS.



UNLESS OTHERWISE SPECIFIED DIMENSIONS ARE IN MILLIMETERS STANDARD TOLERANCES: X X.X X.XX ±0.5 ±0.2 ±0.1 DEBURR AND BREAK SHARP EDGES ALL PARTS TO BE CLEAN AND FREE FROM DUST & OIL	MATERIAL: POS187-3XX - 304 ST/ST POS187-316-3XX - 316 ST/ST	TITLE: POS187 3XX MOUNTING	
	DRAWN BY: S.McCURRACH DRAWN ON: 29/01/2018	THIRD ANGLE PROJECTION	DRAWING NO. POS187-XXX-3XX
		SCALE: 1:1	SHEET 1 OF 1

8 7 6 5 4 3 2 1