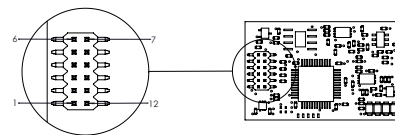
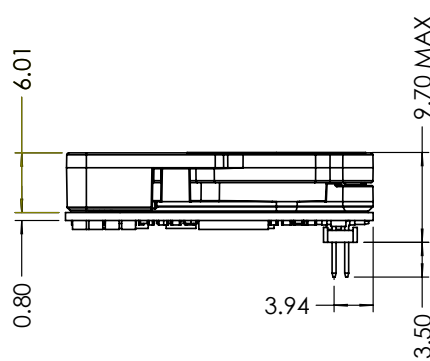
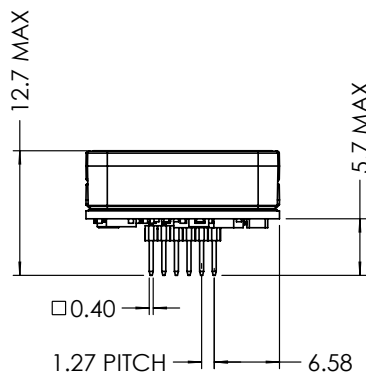
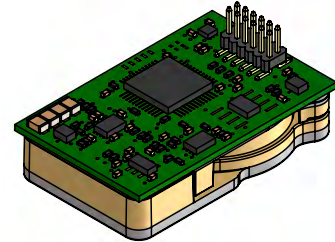
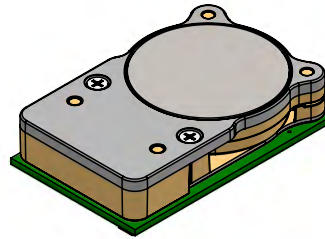
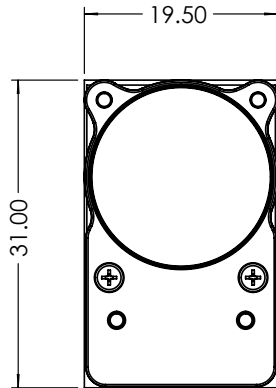


## Low Power Range - CozIR-Blink

### MECHANICAL DIAGRAM



Bottom View

### PIN OUT DESCRIPTION

| Pin | Name                    | Type                 | Description   |
|-----|-------------------------|----------------------|---|
| 1   | GND                     | Supply               | Sensor ground   |
| 2   | VDD                     | Supply               | Sensor supply voltage   |
| 3   | Rx_In                   | Digital Input        | UART receive input  |
| 4   | Tx_Out                  | Digital Output       | UART transmit output  |
| 5   | N/C                     | Unused               | -   |
| 6   | Ready                   | Digital Output       | Output  |
| 7   | I <sup>2</sup> C_ENABLE | Digital Input        | Set low for I <sup>2</sup> C interface mode. Leave floating to select UART interface mode. Pin status detected at power on. |
| 8   | N/C                     | Unused               | -   |
| 9   | N/C                     | Unused               | -   |
| 10  | N/C                     | Unused               | -   |
| 11  | I <sup>2</sup> C_SCL    | Digital Input        | I <sup>2</sup> C serial clock input. Open drain, external 4.7kΩ (required) resistor pulled high to VDD                      |
| 12  | I <sup>2</sup> C_SDA    | Digital Input/Output | I <sup>2</sup> C serial data input/output. Open drain, external 4.7kΩ resistor (required) pulled high to VDD                |