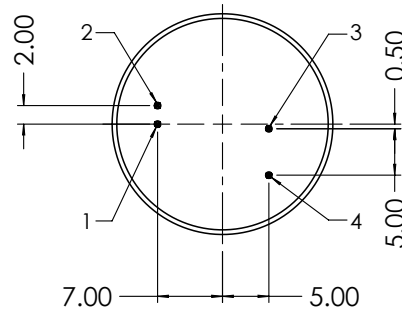
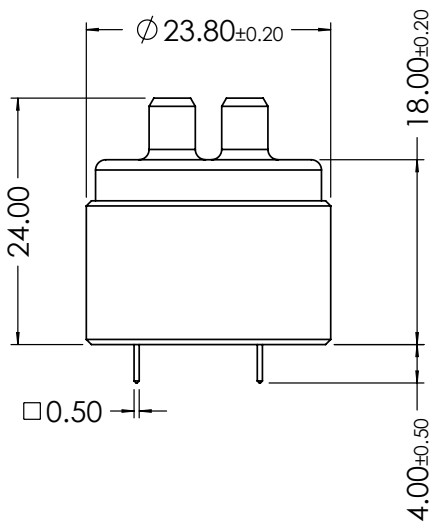
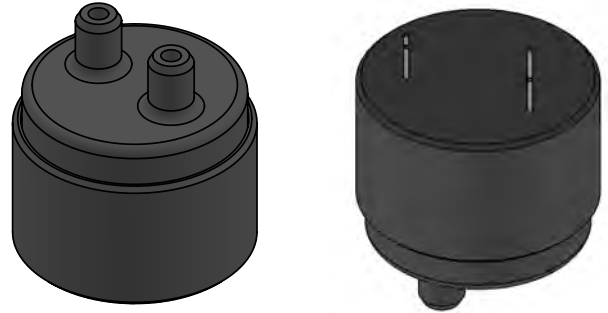
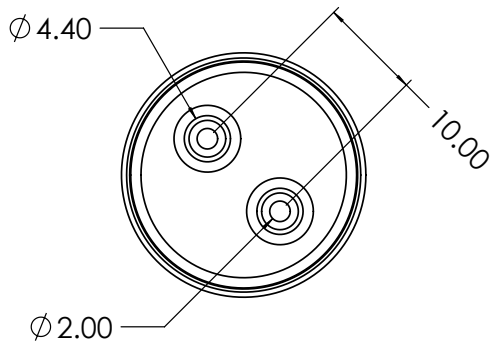


Fast Response Range - SprintIR-R

MECHANICAL DIAGRAM



PIN OUT DESCRIPTION

| Pin | Name | Type | Description |
|-----|--------|----------------|-----------------------|
| 1 | Rx_In | Digital Input | UART receive input |
| 2 | Tx_Out | Digital Output | UART transmit output |
| 3 | 0V | Supply | Sensor ground |
| 4 | V+ | Supply | Sensor supply voltage |