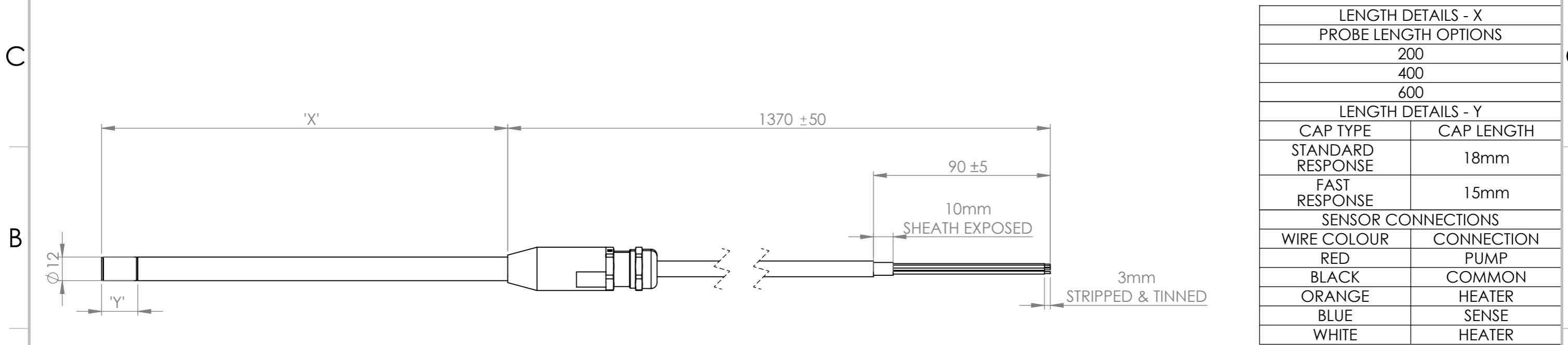
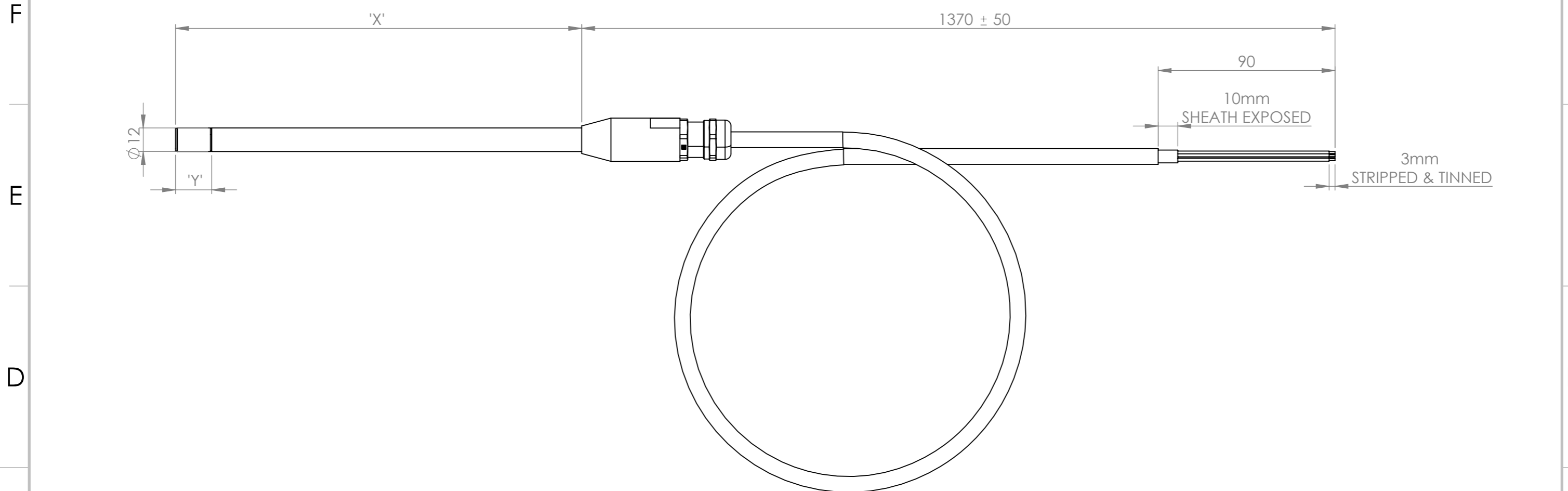


8 7 6 5 4 3 2 1

UNLESS OTHERWISE SPECIFIED DIMENSIONS ARE IN MILLIMETERS
 STANDARD TOLERANCES:
 X X.X X.XX
 ±0.5 ±0.2 ±0.1 ±0.5°
 REQUIRED SURFACE FINISH - Ra3.2 (N8) OR BETTER
 DEBURR AND BREAK SHARP EDGES. ALL PARTS TO BE CLEAN AND FREE FROM DUST & OIL
 ALL PARTS MUST BE RoHS AND REACH COMPLIANT



THIRD ANGLE PROJECTION 	CREATED BY: S.MCCURRACH	TITLE: ZIRCONIA O2 SCREENED PROBE SERIES	STATUS: RELEASED
	APPROVED BY: A.LARNACH	DRAWING TYPE: ASSEMBLY	REVISION: 1
	MATERIAL: PROBE & CAP - STAINLESS STEEL	DRAWING NO. O2S-T6-SCRN	ISSUED ON: 12/04/2024
	SCALE: 1:2	A3	SHEET 1 OF 1

8 7 6 5 4 3 2 1