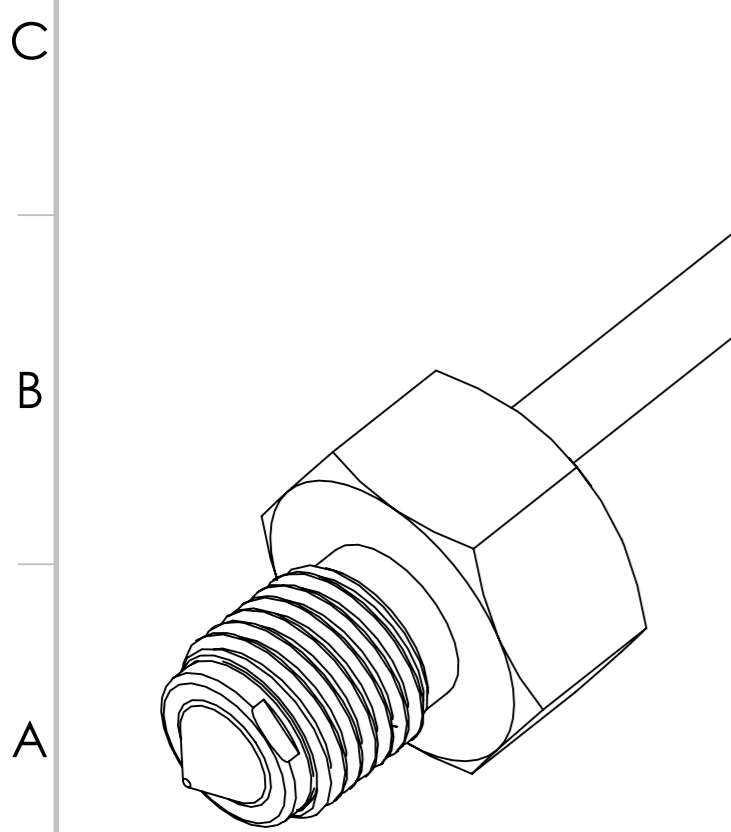
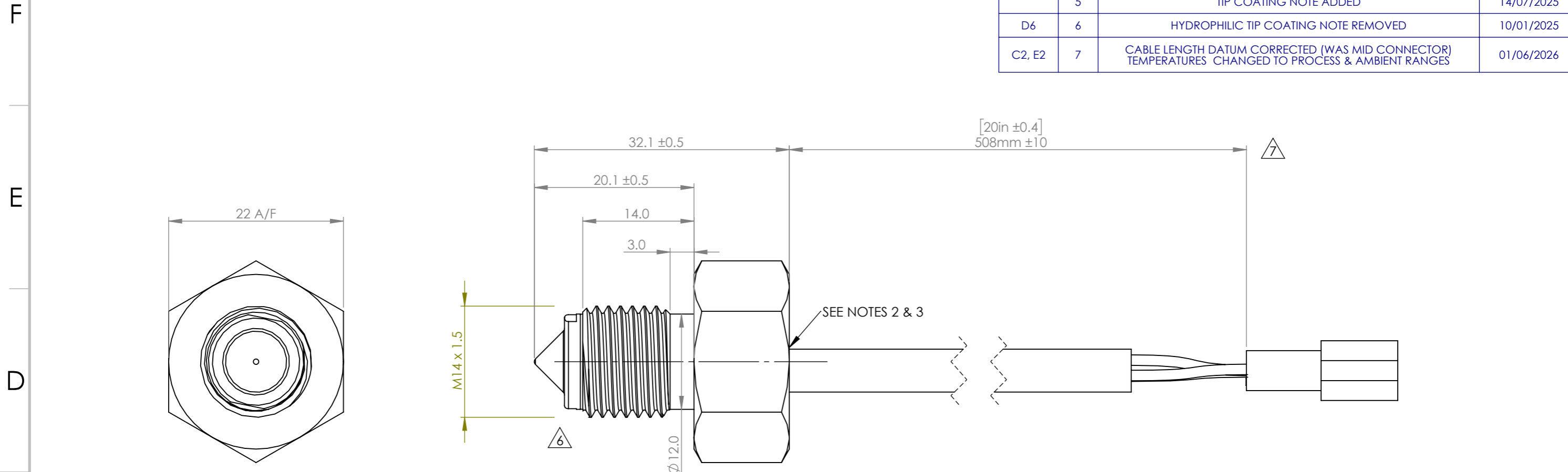


UNLESS OTHERWISE SPECIFIED DIMENSIONS ARE IN MILLIMETERS
 STANDARD TOLERANCES:
 X X.X X.XX
 ±0.5 ±0.2 ±0.1 ±0.5°
 REQUIRED SURFACE FINISH - Ra3.2 (N8) OR BETTER
 DEBURR AND BREAK SHARP EDGES. ALL PARTS TO BE CLEAN AND FREE FROM DUST & OIL
 ALL PARTS MUST BE RoHS AND REACH COMPLIANT

REVISIONS			
ZONE	REV.	DESCRIPTION	DATE
	4	PART NUMBER CHANGED FROM SL-LLHP-0477, SWITCH LOGIC ADDED	11/07/2024
	5	TIP COATING NOTE ADDED	14/07/2025
D6	6	HYDROPHILIC TIP COATING NOTE REMOVED	10/01/2025
C2, E2	7	CABLE LENGTH DATUM CORRECTED (WAS MID CONNECTOR) TEMPERATURES CHANGED TO PROCESS & AMBIENT RANGES	01/06/2026



- NOTES:
- PART NUMBER AND MANUFACTURE DATE CODE TO BE ETCHED TO OUTER HEX OF HOUSING.
 - CABLE WILL NOT EXIT FROM CENTER OF HOUSING.
 - OUTER INSULATION MAY BE EXPOSED FROM HOUSING POTTING.

ELECTRICAL SPECIFICATIONS	
SUPPLY VOLTAGE	8-30Vdc 24Vdc NOMINAL
OUTPUT TYPE	N-TYPE WITH 10K PULL-UP
OUTPUT LOGIC	LOW IN AIR
ENVIRONMENTAL SPECIFICATIONS	
PROCESS TEMPERATURE	-25°C TO +75°C
AMBIENT TEMPERATURE	-20°C TO +75°C
TERMINATION DETAILS	
CABLE	3 CORE, 22 AWG PVC INSULATED
CONNECTOR	03-06-2032
CRIMPS	02062103
PIN NO.	CONNECTION
1	Vs
2	OUTPUT
3	0V

THIRD ANGLE PROJECTION	CREATED BY: J.BOYD	TITLE: LIQUID LEVEL ASSEMBLY - METAL M14x1.5 - 508mm CABLE WITH MOLEX 03-06-2032	STATUS: RELEASED
	APPROVED BY: W.NICHOLLS	DRAWING TYPE: ASSEMBLY	REVISION: 7
	MATERIAL: HOUSING - 316 ST ST TIP - POLYSULFONE	DRAWING NO. 100444	ISSUED ON: 14/07/2025
a DwyerOmega brand	SCALE: 2:1	A3	SHEET 1 OF 1