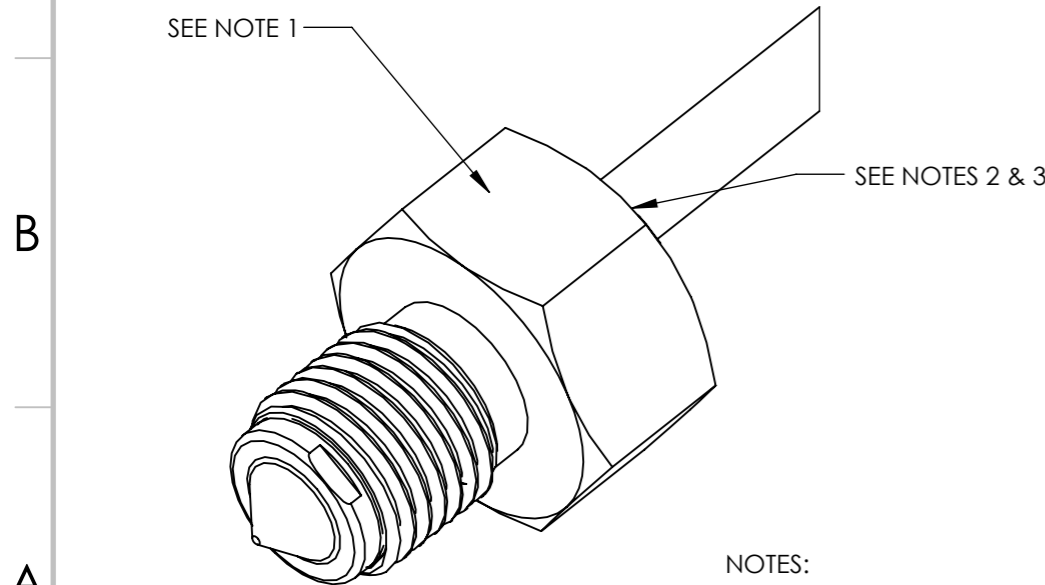
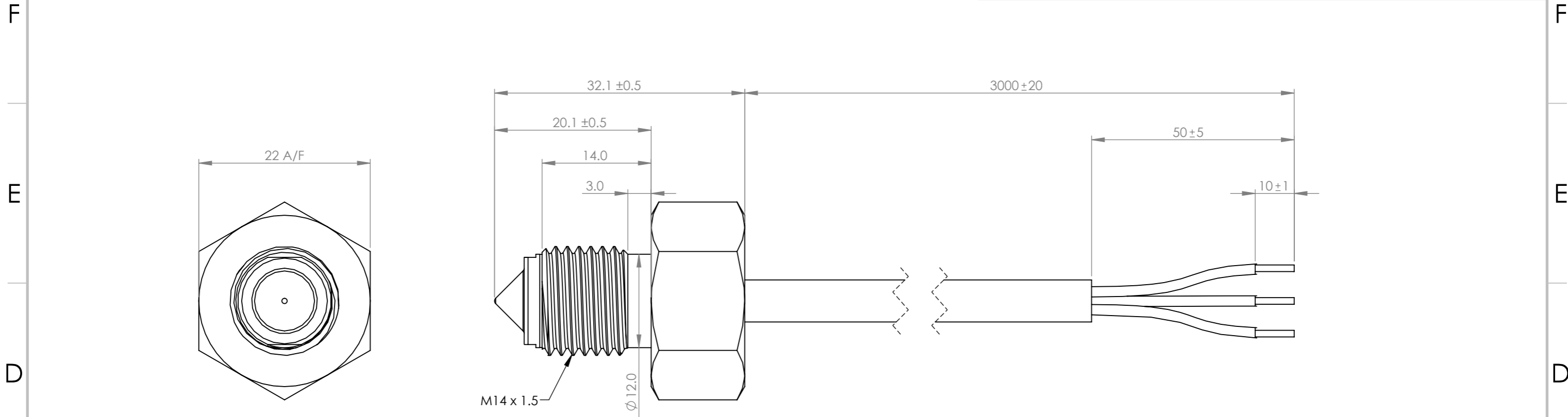
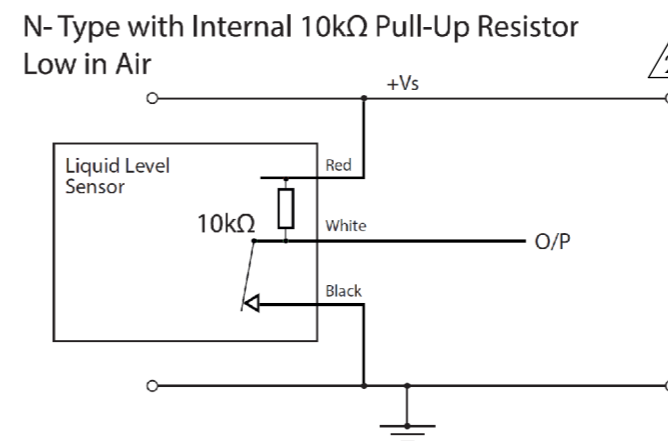


UNLESS OTHERWISE SPECIFIED DIMENSIONS ARE IN MILLIMETERS  
 STANDARD TOLERANCES:  
 X X.X X.XX  
 ±0.5 ±0.2 ±0.1 ±0.5°  
 REQUIRED SURFACE FINISH - Ra3.2 (N8) OR BETTER  
 DEBURR AND BREAK SHARP EDGES. ALL PARTS TO BE CLEAN AND FREE FROM DUST & OIL  
 ALL PARTS MUST BE ROHS AND REACH COMPLIANT

REVISIONS			
ZONE	REV.	DESCRIPTION	DATE
C2	2	TEMPERATURES CHANGED TO PROCESS & AMBIENT	04/06/2026



- NOTES:
- PART NUMBER AND MANUFACTURE DATE CODE TO BE ETCHED OUTER HEX OF HOUSING - **SL-LLHP-521 YYWW**
  - CABLE DOES NOT EXIT FROM CENTRE OF HOUSING.
  - OUTER INSULATION MAY BE EXPOSED FROM HOUSING POTTING.



ELECTRICAL SPECIFICATIONS	
SUPPLY VOLTAGE	8-30 Vdc
SUPPLY CURRENT	7.5 mA MAX
MAXIMUM SWITCHING CURRENT (SINKING)	35mA
OUTPUT TYPE	N-TYPE WITH 10K PULL-UP LOW IN AIR
ENVIRONMENTAL SPECIFICATIONS	
PROCESS TEMPERATURE	-25°C TO +75°C
AMBIENT TEMPERATURE	-20°C TO +75°C
PRODUCT DETAILS	
TIP	POLYSULFONE
HOUSING	316 STAINLESS STEEL
CABLE	3m, PVC INSULATED, 22AWG (7/30), COPPER CONDUCTORS, UL/CSA AWM/STYLE 2576 VW-1
SEALS	NITRILE
CORE COLOUR	CONNECTION
RED	Vs
WHITE	OUTPUT
BLACK	0V

THIRD ANGLE PROJECTION	CREATED BY: J.BOYD	TITLE: LIQUID LEVEL ASSEMBLY WITH METAL M14x1.5 HOUSING, PSU TIP, 3m CABLE	STATUS: RELEASED
	APPROVED BY: W. NICHOLLS	DRAWING TYPE: ASSEMBLY	REVISION: 2
	MATERIAL: HOUSING - 316 ST ST TIP - POLYSULFONE	DRAWING NO. SL-LLHP-521	ISSUED ON: 04/06/2026
a DwyerOmega brand	SCALE: 2:1	A3	SHEET 1 OF 1